

mazon

URBAN HIDE-A-BED MANUAL

Instruction and User Guide

PLEASE READ OUR USER GUIDE
CAREFULLY BEFORE USE

TABLE OF CONTENTS | M40

Lay Out Parts	01
Yoke Assembly	02
Bed Frame Assembly	03
Leg Assembly	04

LAY OUT PARTS | URBAN

SECTION 1:

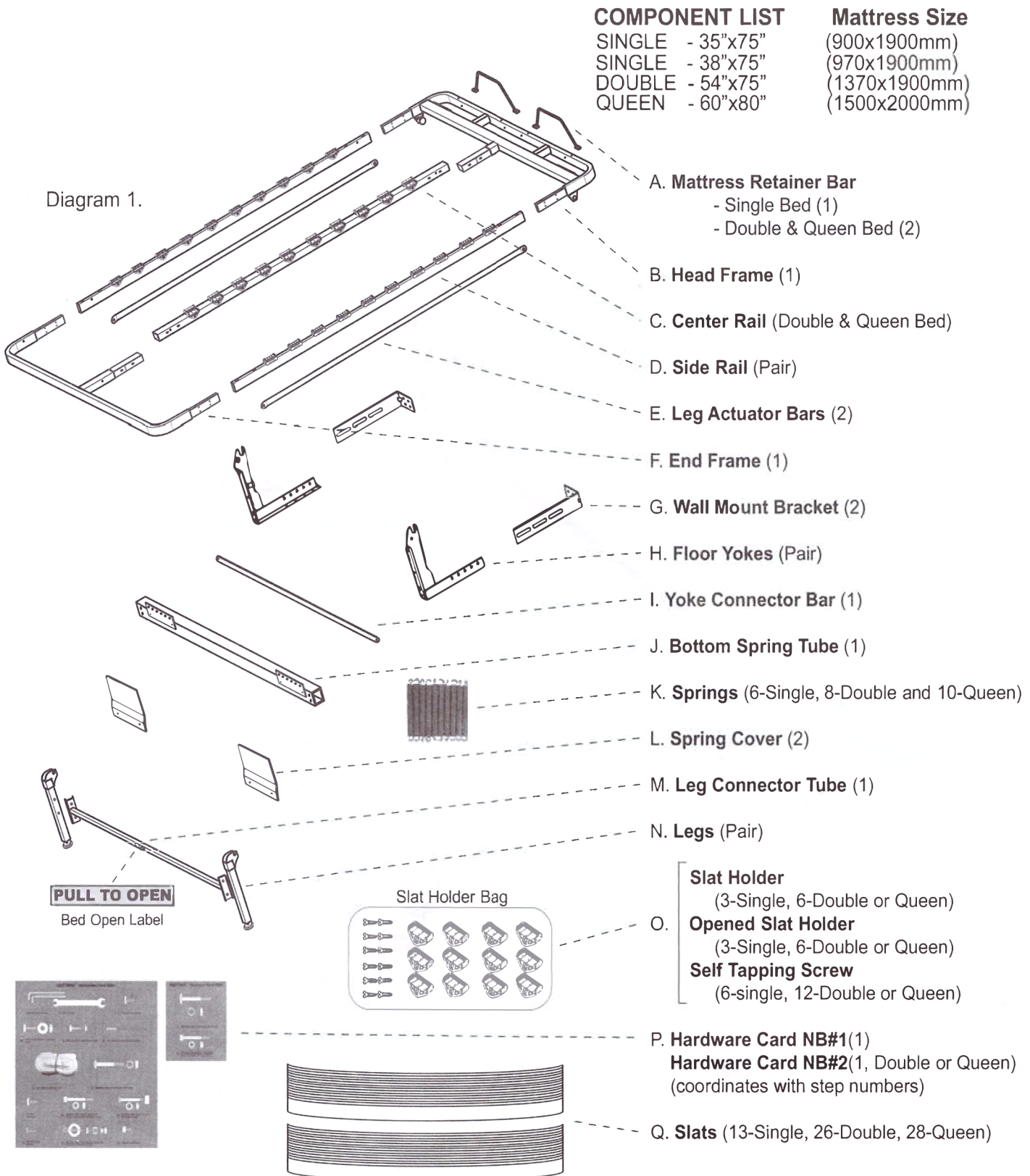
Unpack and familiarize yourself with the components.

Single, Double and Queen size Wall Beds are packed in 3 boxes (Single 2 boxes). Remove the entire contents of boxes and lay the components out on the floor in the manner of Diagram 1.

Double check the cartons to be sure you have not missed any parts left in the packing materials.

The Hardware is organized in the card step by step for convenience.

Do not remove hardware or Slat Holders until directed.

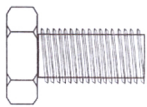


YOKE ASSEMBLY | URBAN

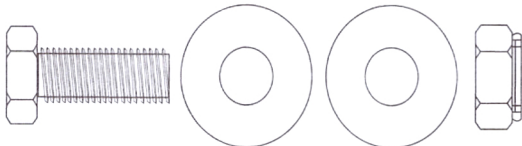
SECTION 2:

Assemble the Yoke Assembly components as shown. If you are installing the bed in a 16" deep cabinet, fasten the Floor Yokes and Wall Mount Brackets together not to exceed a 15" projection from the base board or wall. Secure the Yoke Assembly to the base or wall with the screws provided while following the steps below. Match fasteners with the actual-size drawings to ensure you use the correct pieces.

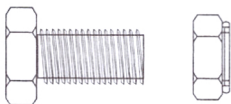
1. Attach the Bottom Spring Tube (J) to the Floor Yokes (H).
M8x20mm Bolt (4pcs)



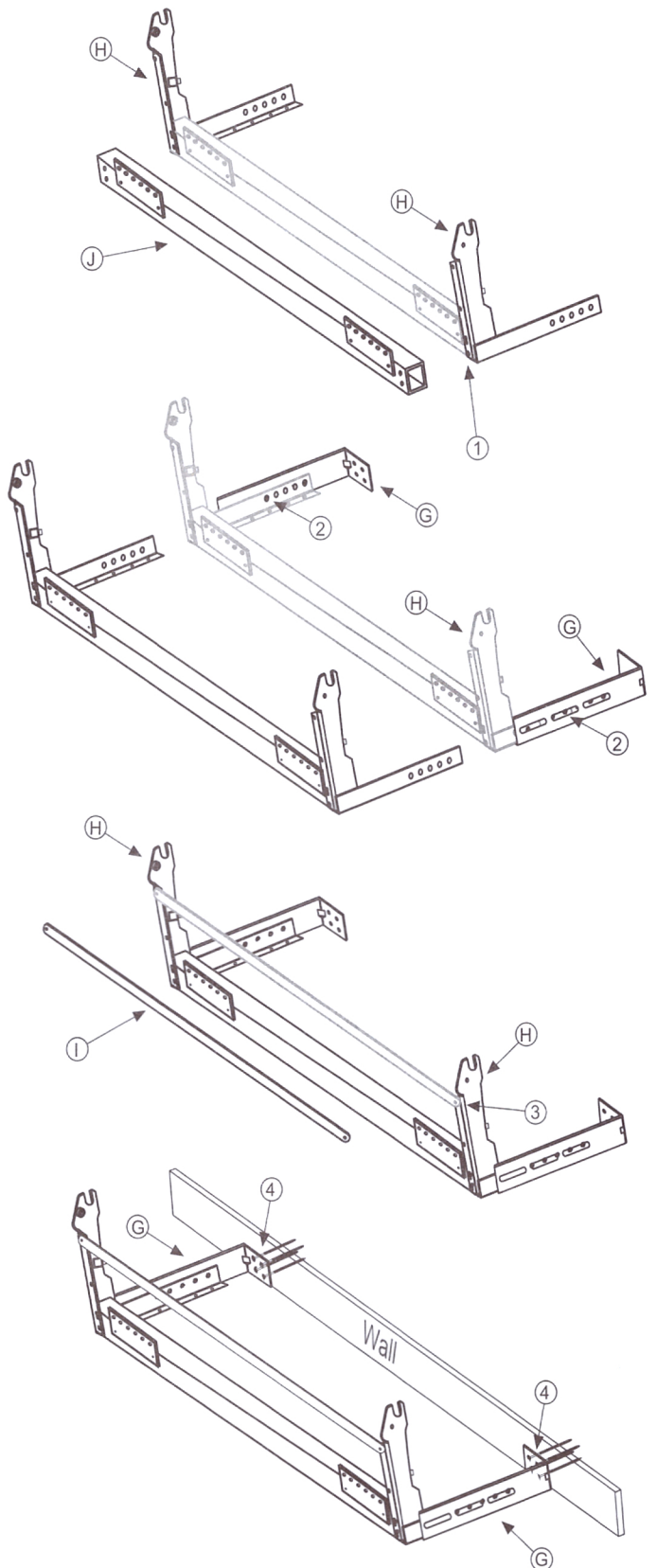
2. Attach the Wall Mount Brackets (G) to the Floor Yokes (H) using the Bolts, Nuts and Washers shown below. Place bolt heads on outside. Do not tighten bolts now so you can adjust later.
M8x20mm Bolt, 2 Flat Washers, Nylock Nut (4 sets)



3. Attach Yoke Connector Bar (I) to the Floor Yokes (H).
M8x20mm Bolt, Nylock Nut (2 sets)



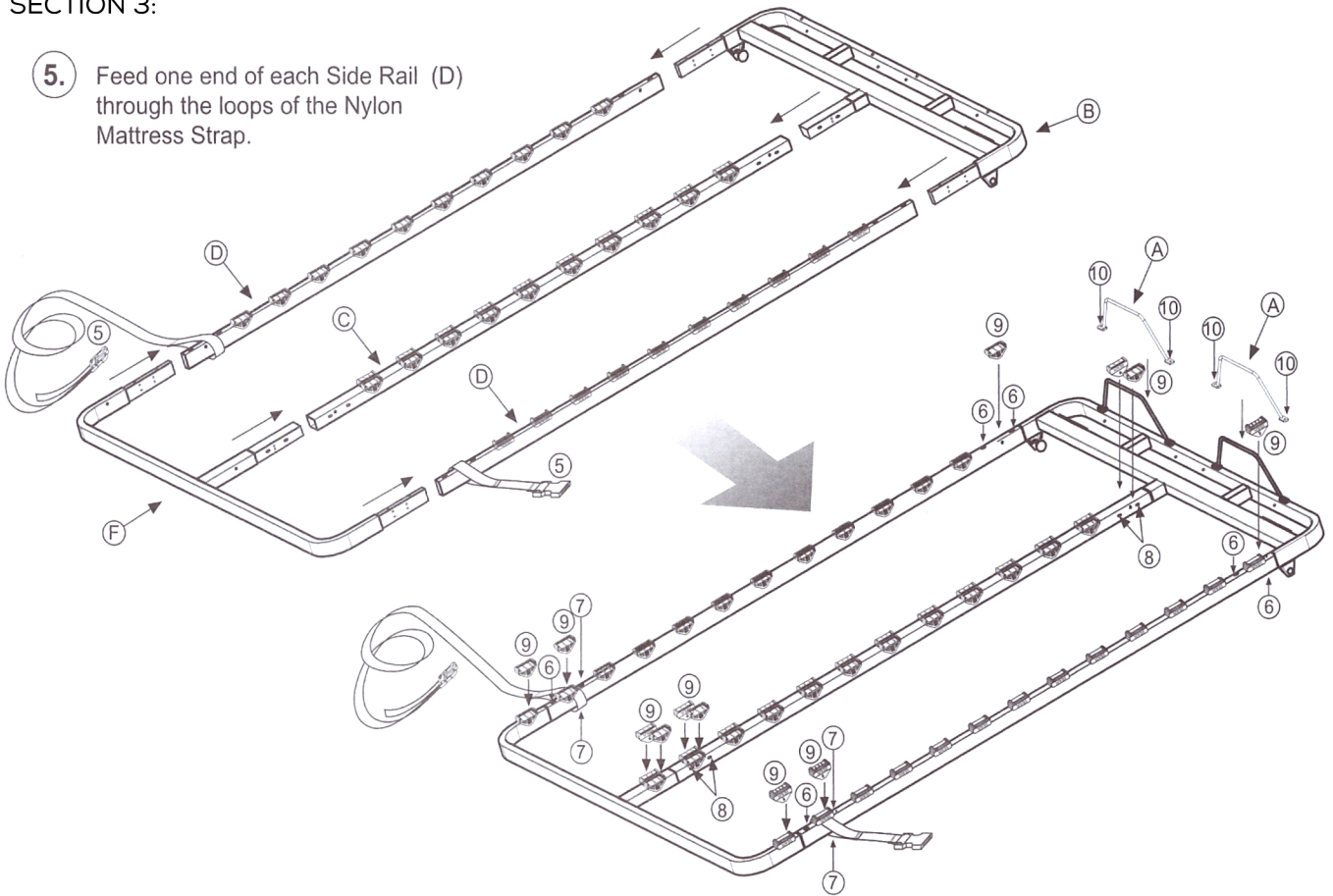
4. Insert screws through Wall Mount Brackets (G) and into Wall or Base Board at a downward angle.
8-3" (76.2mm) Flat Head Screw (8pcs)



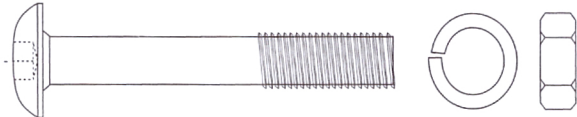
BED FRAME ASSEMBLY | URBAN

SECTION 3:

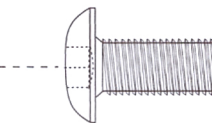
5. Feed one end of each Side Rail (D) through the loops of the Nylon Mattress Strap.



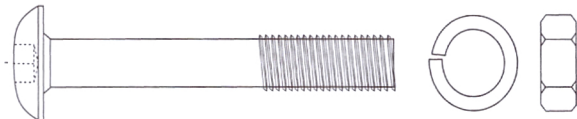
6. Slide End Frame (F), Head Frame (B), Side Rails (D) and Center Rail (C) together as shown. Attach End Frame (F) and Head Frame (B) to Side Rails (D); 2 bolts at foot, 4 bolts at head. **M8x55mm Bolt, Lock Washer, Nut (6 sets)**



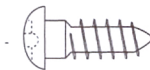
7. Attach End Frame (F) to Side Rails at Leg end. Bolts do not go through frame. **M8x16mm Bolt (4pcs)**



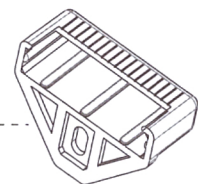
8. Attach End Frame (F) and Head Frame (B) to Center Rail (C). (For Double and Queen Beds only) **M8x55mm Bolt, Lock Washer, Nut (4 sets)**



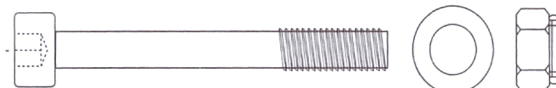
9. Attach Opened Slat Holder (O) to End Frame (F) and Center Rail (C). *One Slat Holder across from one Open Slat Holder* **#5x16mm Self-Tapping Screw (12pcs)**



Open Slat Holder attach to Side Rails and Center Rails - not shown to scale
(6pcs-Single, 12pc-Double and Queen)



10. Attach Mattress Retainer Bar (A) to Head Frame (B) **M6x50mm Bolt, Washer, Nylock Nut (Single-2 Sets, Double and Queen-4 sets)**

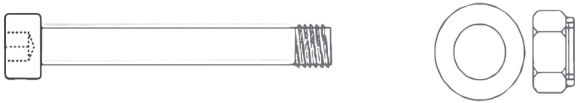


****Do not attach Leg Actuator Bars (E) at this time****

LEG ASSEMBLY | URBAN

SECTION 4:

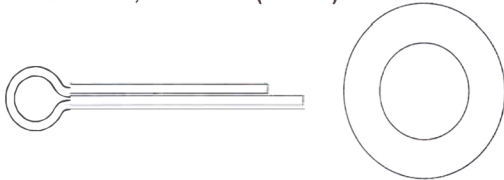
11. Stand the assembled frame. Lift and set the hinge axes of the Head Frame (B) into the hinges of the Yoke Assembly.
12. Stabilize the frame in the vertical position by applying one spring on either side (Photo 1).
13. Attach Legs (N) to Side Rails (D), see Detail A. Do not over tighten so Legs may pivot freely.
M6x40mm Bolt, Spacer, Washer, Nylock Nut (2 sets)



14. Attach Leg Connector Tube (M) to Legs (N) as shown.

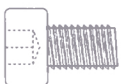


15. Attach Actuator Bars (E) to the Leg Brackets (N) with Cotter Pins (see Detail A), then to the Floor Yokes (H) with Cotter Pins. Bend back ends to secure.
Cotter Pins, Washers (4 sets)



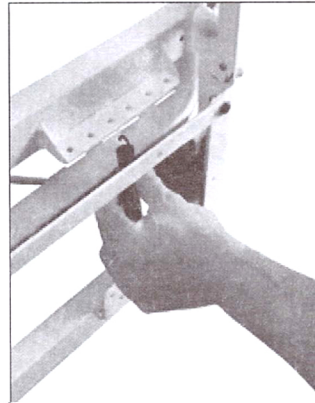
16. Rotate the bed down horizontal and install the Slats (Q) by slipping one end into the closed Slat Holder and flexing the slat slightly and tapping it into the open ended Slat Holder.
17. Put Mattress in place and secure with Nylon Web Strap.
18. Install proper number of Springs to balance. Raise bed frame with mattress to the vertical position. Add an equal # of springs on each side until the bed frame is almost weightless at the 45* angle. Remember that the system will weigh slightly more when bedding is added to the system. See Photo 1.

19. Install the Spring Covers (L) to the Bottom Spring Tube (J) to cover the installed springs.
M6x10mm Bolt (4 pcs)

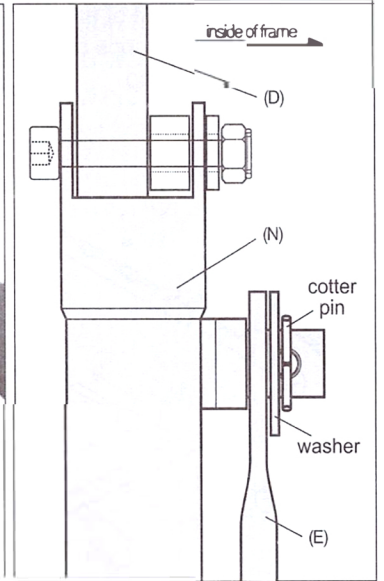


20. Adjust the Wall Mount Brackets on the Yoke Assembly to have the bed operate at the minimum distance from the wall. Tighten bolts in place.

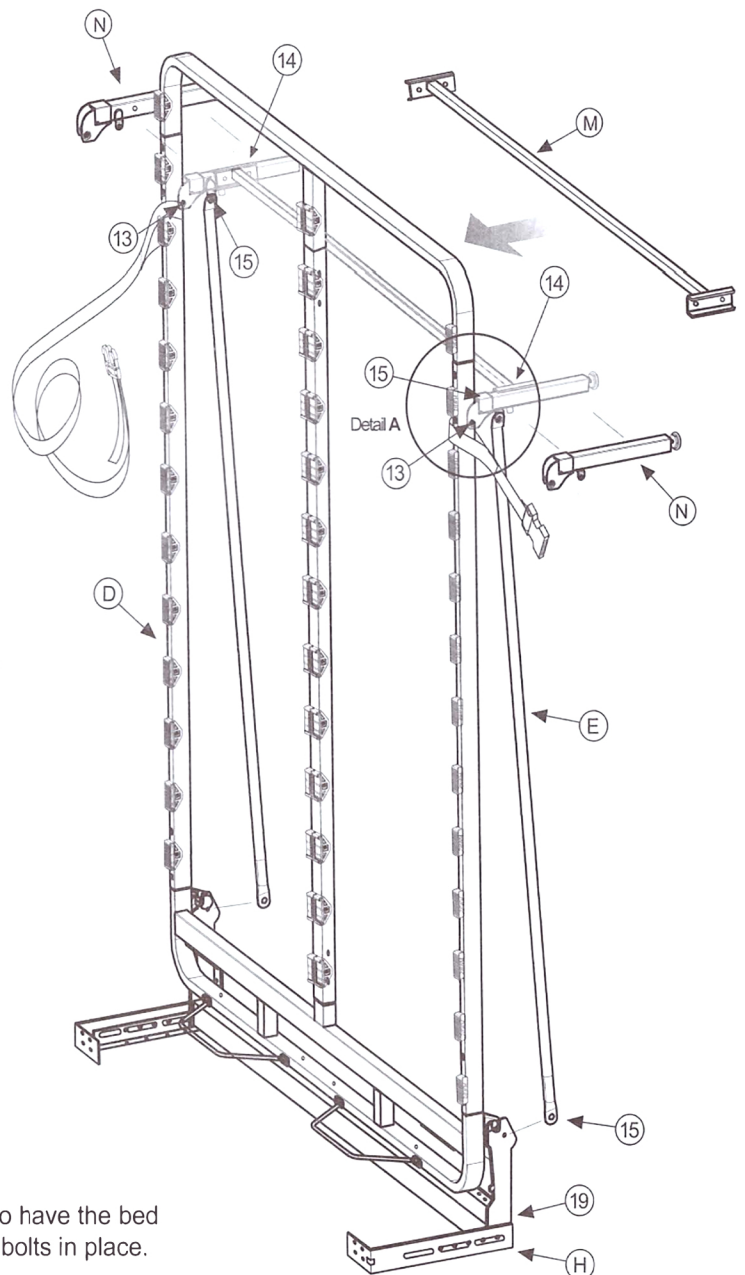
Photo 1



Detail A - not full scale

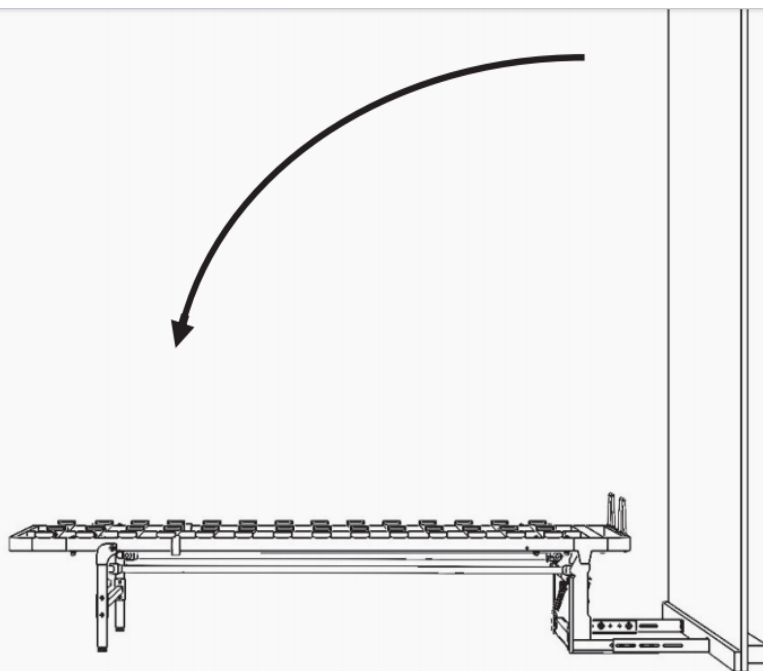


First hook bottom of spring in the Bottom Spring Tube (J), then using vice grips pull up and set the top spring hook. You may use leverage from the Yoke Connector Bar (I).



LEG ASSEMBLY | URBAN

Lower the frame into the open position.



Wood Slats

Hardware



Insert the Wood Slats into the Slat Holders by inserting one end first, then slightly bowing the wood slat allowing it to slip into the opposite Slat Holder.

Helpful hint: Slightly twisting the Slat helps getting it into the slat holder with less bending.

Note the Wood Slats have a slight bow. The bow should be up.

